

34.Rear Lock Button

A: REMOVAL

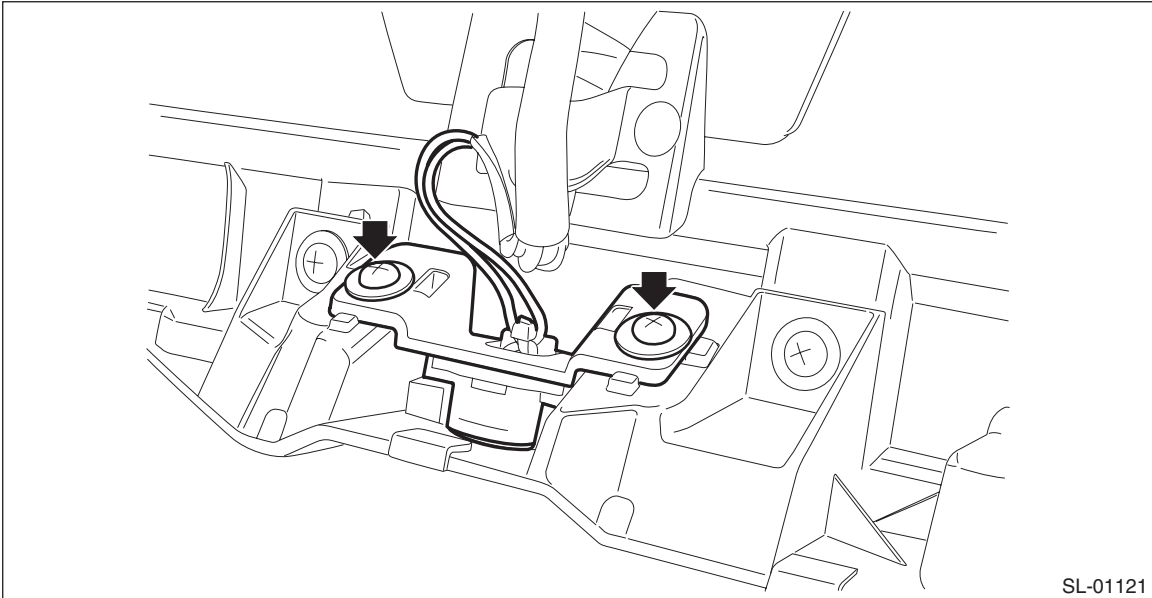
NOTE:

The rear lock button (lock) is integrated into the license plate light assembly harness.

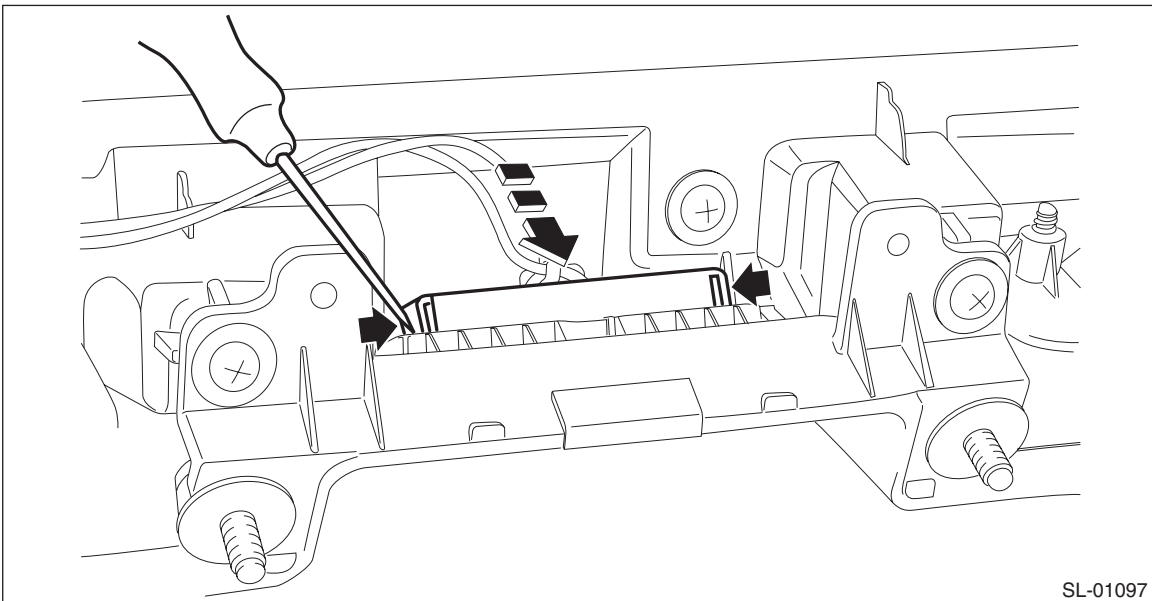
1) Remove the rear gate garnish assembly. <Ref. to EI-171, REMOVAL, Rear Gate Garnish.>

2) Remove the rear lock button (lock).

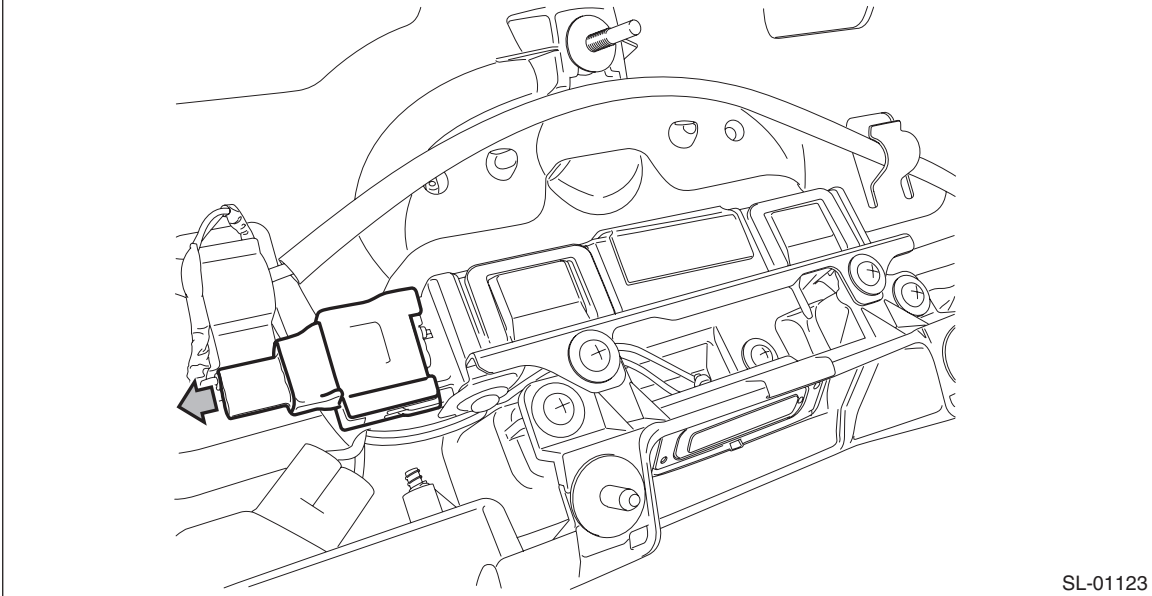
(1) Remove the screws and remove the rear lock button (lock).



(2) Release the locks at both ends of the rear gate opener button by pushing with a flat tip screwdriver.

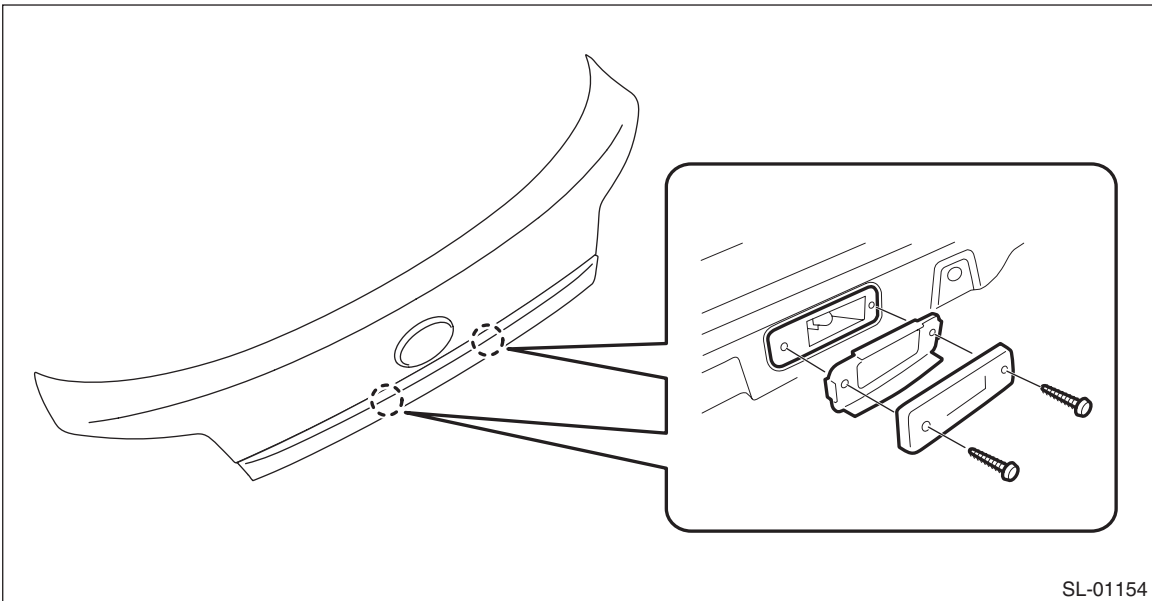


(3) Disconnect the rear exterior antenna connector.



SL-01123

(4) Remove the screws and remove the license plate light.

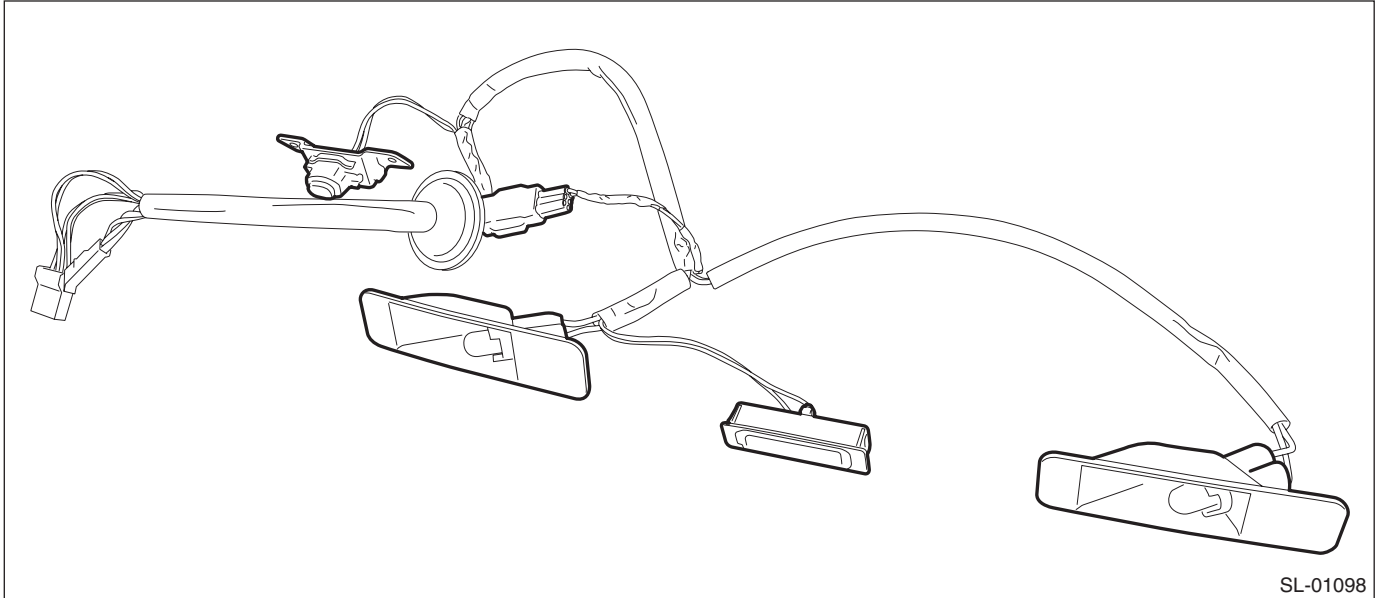


SL-01154

Rear Lock Button

SECURITY AND LOCKS

(5) Remove the license plate light assembly harness from the rear gate garnish assembly.



B: INSTALLATION

Install each part in the reverse order of removal.

C: INSPECTION

- 1) Display the current data using the Subaru Select Monitor.
- 2) Check if the display changes when the rear lock button is operated.
- 3) If the display is not correct as the result of inspection, refer to "General Diagnostic Table" of the "KEYLESS ACCESS WITH PUSH BUTTON START SYSTEM (DIAGNOSTICS)" section. <Ref. to KPS(diag)-86, KEYLESS ACCESS SYSTEM, INSPECTION, General Diagnostic Table.>